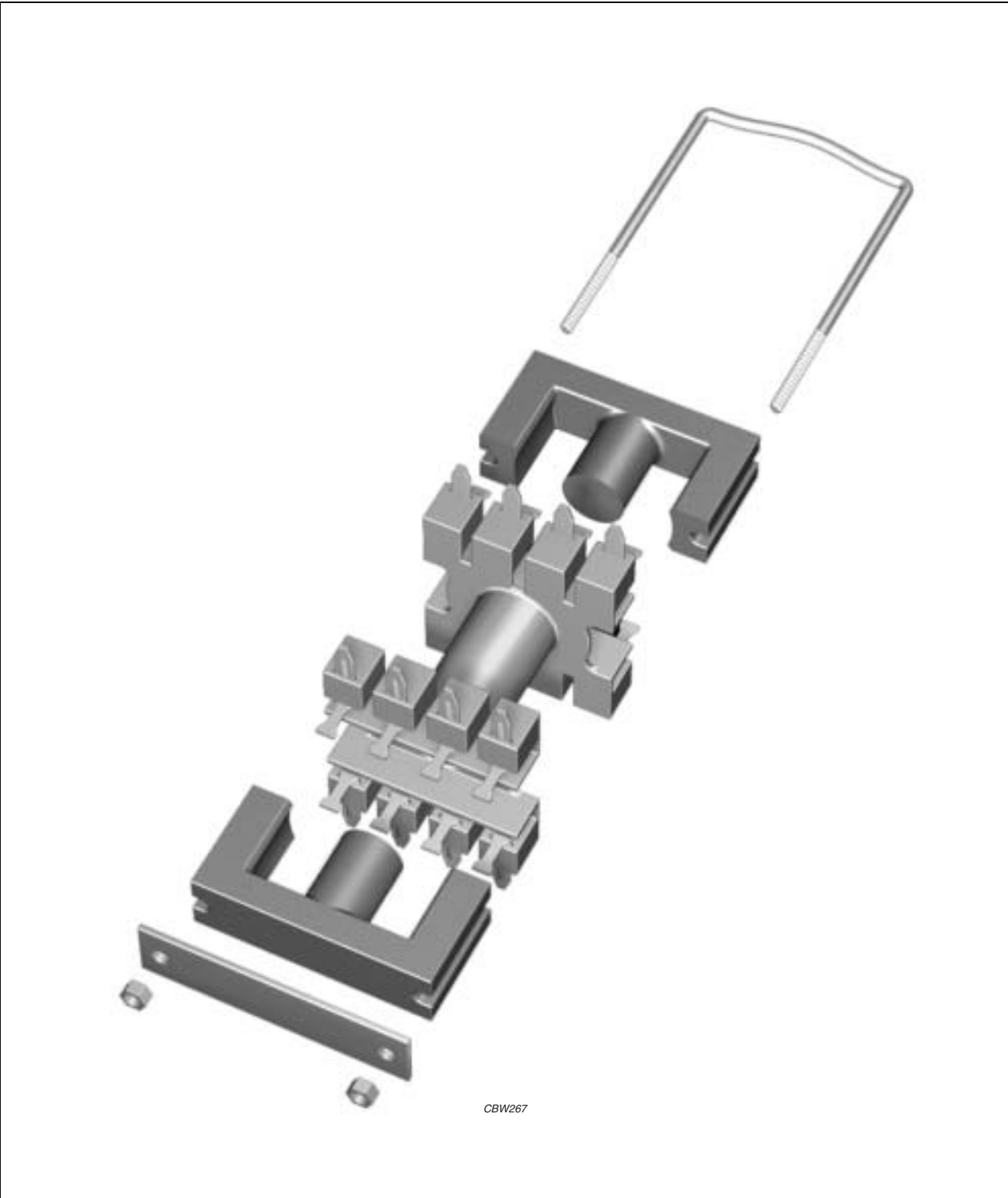


Soft Ferrites

EC cores and accessories



PRODUCT OVERVIEW AND TYPE NUMBER STRUCTURE

Product overview EC cores

CORE TYPE	V_e (mm ³)	A_e (mm ²)	MASS (g)
EC35	6530	84.3	19
EC41	10800	121	30
EC52	18800	180	56
EC70	40100	279	127

- In accordance with IEC 62317, part 11.

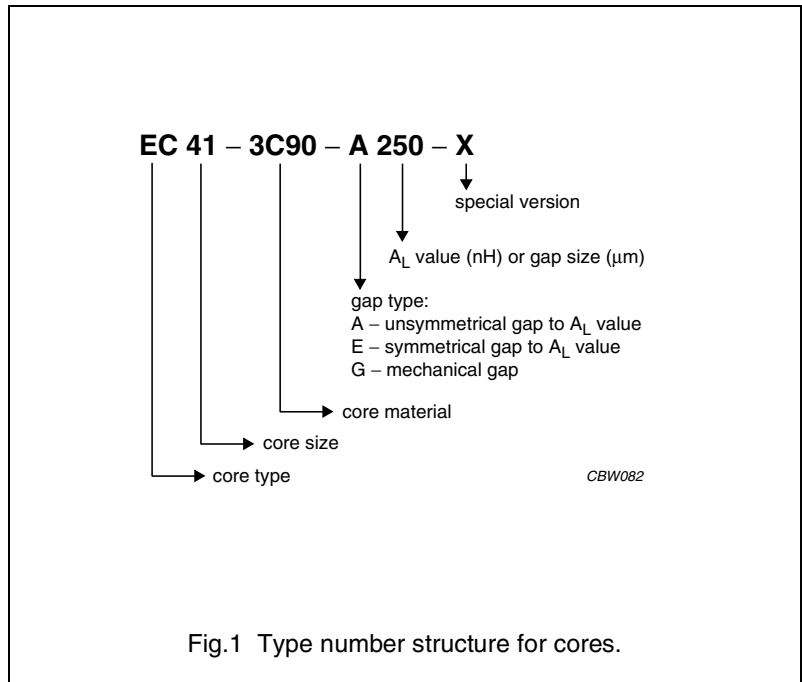


Fig.1 Type number structure for cores.

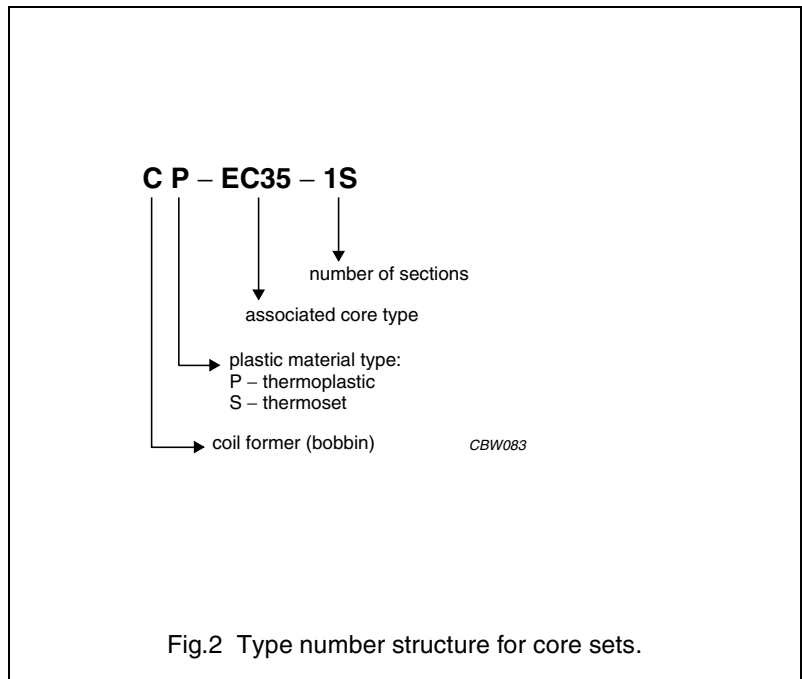


Fig.2 Type number structure for core sets.