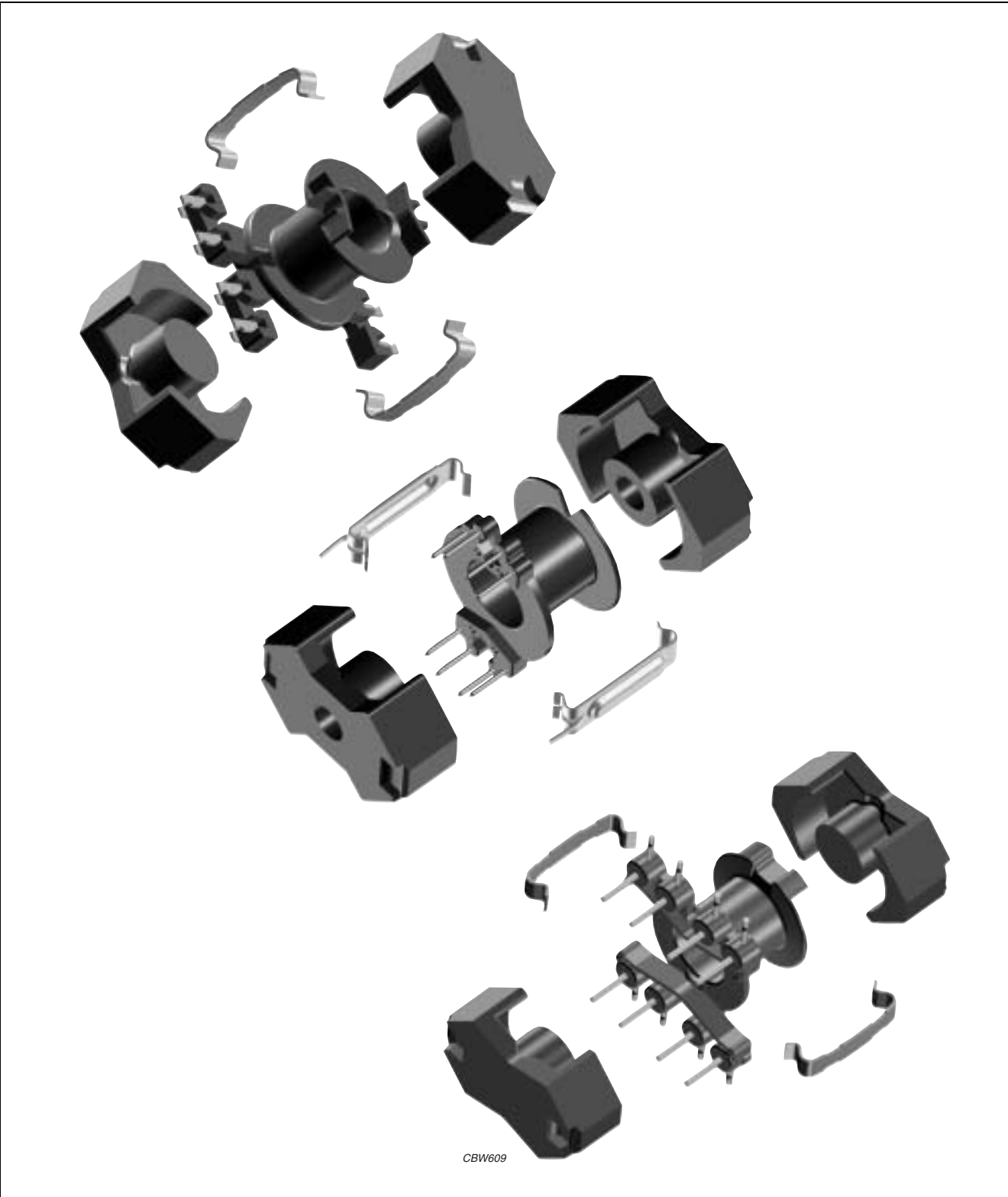


Soft Ferrites

RM, RM/I, RM/ILP  
cores and accessories



Soft Ferrites

RM, RM/I, RM/ILP  
cores and accessories

PRODUCT OVERVIEW AND  
TYPE NUMBER STRUCTURE

Product overview RM cores

CORE TYPE	V <sub>e</sub> (mm <sup>3</sup> )	A <sub>e</sub> (mm <sup>2</sup> )	MASS (g)
RM4	230	11.0	1.5
RM4/I	322	13.8	1.7
RM4/ILP	251	14.5	1.3
RM5	450	21.2	3.1
RM5/I	574	24.8	3.2
RM5/ILP	430	24.5	2.6
RM6S	840	31.4	5.1
RM6S/I	1090	37.0	5.5
RM6S/ILP	820	37.5	4.4
RM6R	810	32.0	5.5
RM7/I	1325	44.1	7.5
RM7/ILP	1060	45.3	6.0
RM8	1850	52.0	11
RM8/I	2440	63.0	13
RM8/ILP	1860	64.9	10
RM10/I	4310	96.6	22
RM10/ILP	3360	99.1	17
RM12/I	8340	146	46
RM12/ILP	6195	148	35
RM14/I	13900	198	69
RM14/ILP	10230	201	55

• In accordance with IEC 62317, part 4.

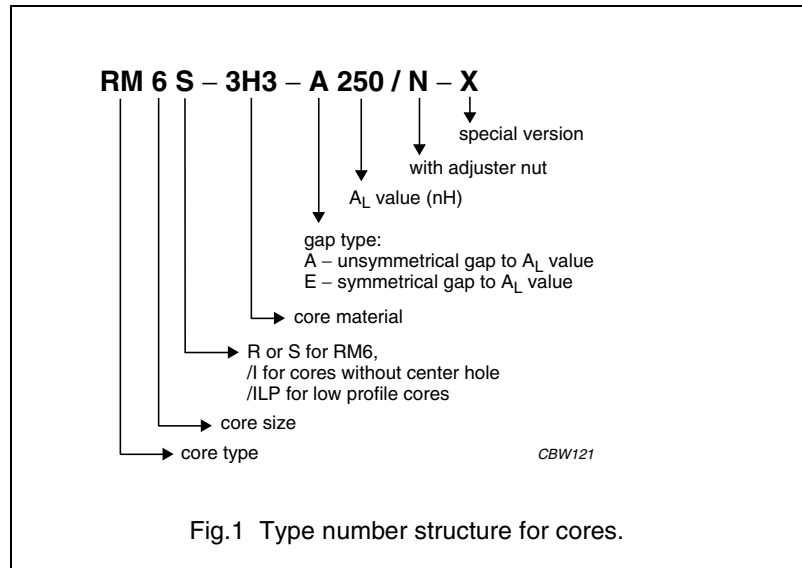


Fig.1 Type number structure for cores.

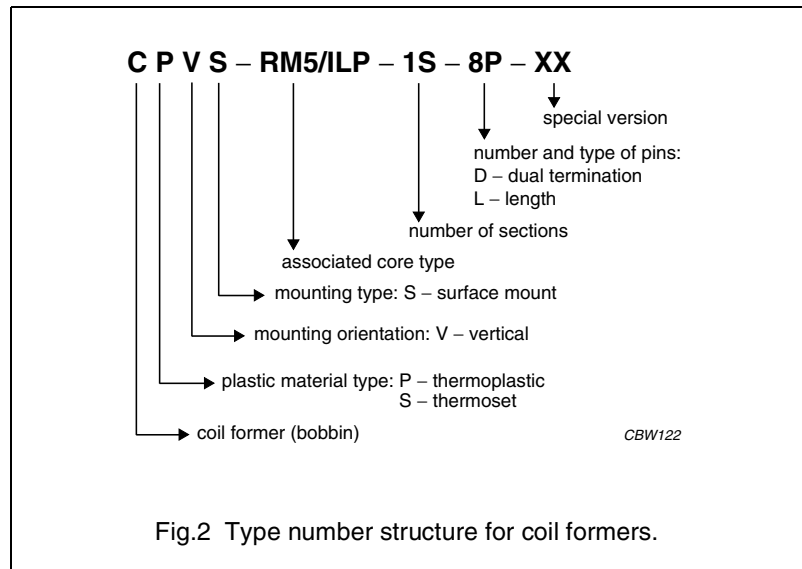


Fig.2 Type number structure for coil formers.